

# Koaksijalni ventili Vodonik

The STASTO is an global leading valve manufacturer in the control valve technology and high pressure valve. We are continuously developing and producing technology of our technology of manufacturing, we have always put our efforts in terms of reliability, high quality and customer service. We are proud of our technology and our experience in valve manufacturing that allows us to face challenges of different industrial applications.

High-pressure valve technology offers many decisive advantages:








- 3-directional operation**  
The valve design allows for 3-directional operation, which is ideal for applications where the valve has to be operated in different directions.
- compact size**  
The compact design allows for easy installation in tight spaces.
- pressure balanced design / operating force 3 bar**  
The pressure balanced design ensures a low operating force of only 3 bar, which makes the valve easy to operate.
- high pressure type**  
The high pressure type is suitable for applications with high pressure requirements.

**other advantages:**

- High-pressure type / pressure 10 bar
- High reliability



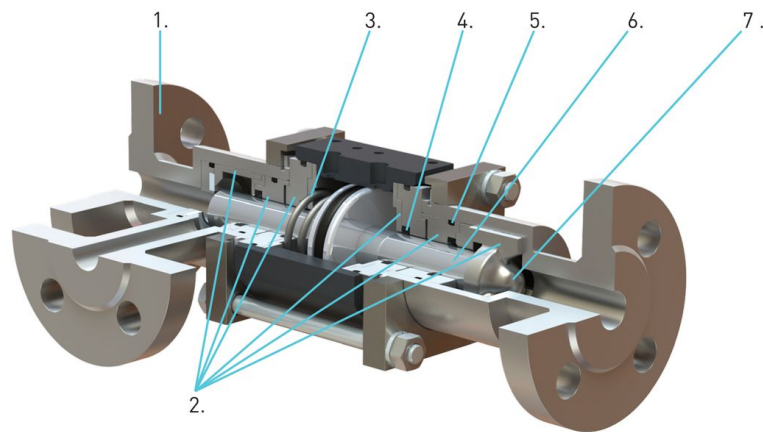
# VALVES FOR HYDROGEN

Type	Pressure range	Orifice	Kv value	Possible Applications
 KX1000	0-1000 bar	DN 8 mm	1,9 m <sup>3</sup> /h	Compressor Hydrogen Refilling stations Transport
 PCD-H 10	0-500 bar	DN 10 mm	1,5 m <sup>3</sup> /h	Hydrogen Refilling stations Test benches
 KBS 15	0-500 bar	DN 1,5-3 mm	0,066-0,312 m <sup>3</sup> /h	
 KB 15	0-400 bar	DN 2-8 mm	0,102-1,44 m <sup>3</sup> /h	
 MK/ FK	0-100 bar	DN 10-80 mm	1,6-70 m <sup>3</sup> /h	Electrolysis Pressure swing adsorption Fuel cells Gas turbines Test benches
 VMK/ VFK/ FCF/ FMX	0-200 bar	DN 8-250 mm	1,6-650 m <sup>3</sup> /h	
 Regelventil SPI	0-400 bar	DN 8-32 mm	1,6-24 m <sup>3</sup> /h	

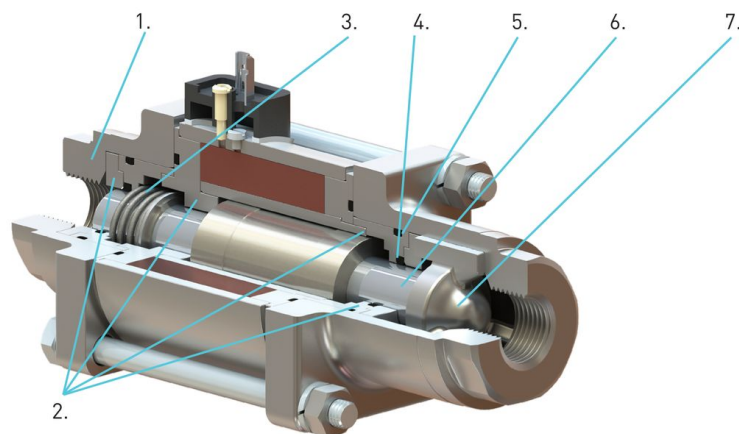
This is an information summary. For details on the individual series, please refer to the associated data sheets.



## Pneumatic actuated coaxial valves (3/2 version)



## Solenoid actuated coaxial valves (2/2 version)



Components for coaxial valves with 2 or 3 port connections

Item:	Material number (DIN)	AISI:
1. valve port	1.4581 or 1.4404 or 1.4571	316L or 316Ti
2. all media touched inner parts	1.4404	316L
3. return spring	1.4310	301
4. all dynamic seals	PTFE or FPM (Viton)	
5. all static seals	FPM (Viton)	
6. control tube	1.4404 or 1.4301	316L or 304
7. valve seat	PTFE or FPM (Viton)	



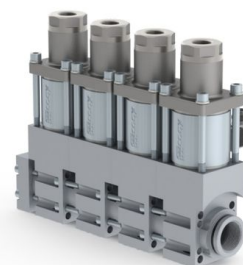
## Size comparison - space-saving in flexible modular bodies

Ball valve



(5)-FCF-K series  
(interchangeable „short“  
version without limit switch)

interchangeable



### Features of the coaxial valves - solenoid actuated

- Valves technically tight to the atmosphere, even if the seals are worn (closed design, tightness guaranteed, no open connection, no hazardous substance leakage/skin contact).
- Standard voltage 24V DC / 230V AC
- Special voltages on request
- available options:
  - with limit switch (direct indication OPEN/CLOSE)
  - mounting bracket
  - terminal box
  - device connector e.g. M12\*1 VDMA/DESINA
  - manual override
- Medium temperature range
  - f. Standard version: from -20°C to +100°C
    - optionally from -40°C to 160°C\*
  - f. Ex-Zone 1 equipment category 2 from -20°C to +40°C\*
  - f. Ex-Zone 2 equipment category 3 from -20°C to +80°C\*
  - f. IECEx: from -30°C to +50°C \* (only orifice DN10)
  - f. DVGW: from -15°C to +80°C \* (only orifice DN15 to 25)

### Features of the coaxial valves - general

- Compact and small design
- Valves with flow on both sides
- Very fast switching times
- Valve connection optionally in:
  - Flange (e.g. DIN EN 1092-1)
  - Socket version (e.g. SAE / NPT thread)
  - Weld end
- SIL 2 as standard, SIL 3 optional
- MTF values on request

### Features of the coaxial valves - pneumatically actuated

- 5/2-pilot valve – direct or externally mounted
- All valves switch from 3 bar control air pressure
- Pilot air consumption 1/10 of a ball valve
- Leakage hole with drainage connection
- Limit switch (direct indication OPEN/CLOSE)
- Mounting bracket
- Medium temperature range: from -20°C to +60°C
  - optional from -40° to 160°C (pilot external)\*
- Ex zone 1 – max. temperature from -20°C to +160°C\*

[\*] Depending on the temperature range, there may be adjustments to the desired valve configuration

Ilustracije nisu obavezujuće

Zadržavamo pravo na konstruktivne, dimenzione i promene materijala.

Armature / specijalne armature / Drugi materijali - specijalne armature / Drugi materijali - A08 / [CV-H2...] CV-H2...

Verzija 1.0

213214 / Generisano 2026/23 SR

PROIZVEDENO U EVROPI

+381 11 2399521

balkan@stasto.eu

© STASTO Automatizacija d.o.o.

www.stasto.rs

Otvori seriju online

Strana 4 / 4

