

## Ομοαξονικές βαλβίδες Υδρογόνου

The STASTO group is the world's leading valve manufacturer in the control valve technology and high pressure valve sector. With its extensive experience and product portfolio of over 100,000 different valve types, we offer optimal solutions for every application. Our technology is continuously evolving and we are committed to research and development to meet the challenges of our customers.

Stastop is an alternative energy source of the future. It has great potential and our valve technology helps you to achieve this goal.

**coaxial valves offer many decisive advantages:**

**• 2-directional operation**



The coil design allows for bidirectional flow. The valve is suitable for both forward and reverse flow.

**• compact size**



The compact design allows for easy installation in tight spaces. The valve is suitable for applications with limited space.

**• pressure balanced design / operating force 3 bar**



The pressure balanced design ensures a low operating force of 3 bar. The valve is suitable for applications with high pressure differentials.

**• high pressure type**







The high pressure type valve is designed for applications with high pressure. The valve is suitable for applications with high pressure differentials.

**other advantages:**

- High pressure type / pressure up to 100 bar
- High precision



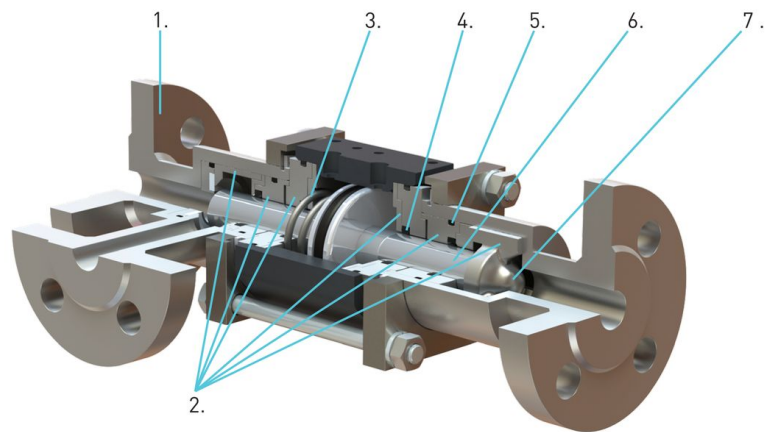
# VALVES FOR HYDROGEN

Type	Pressure range	Orifice	Kv value	Possible Applications
 KX1000	0-1000 bar	DN 8 mm	1,9 m <sup>3</sup> /h	Compressor Hydrogen Refilling stations Transport
 PCD-H 10	0-500 bar	DN 10 mm	1,5 m <sup>3</sup> /h	Hydrogen Refilling stations Test benches
 KBS 15	0-500 bar	DN 1,5-3 mm	0,066-0,312 m <sup>3</sup> /h	Electrolysis Pressure swing adsorption Fuel cells Gas turbines Test benches
 KB 15	0-400 bar	DN 2-8 mm	0,102-1,44 m <sup>3</sup> /h	
 MK/ FK	0-100 bar	DN 10-80 mm	1,6-70 m <sup>3</sup> /h	Electrolysis Pressure swing adsorption Fuel cells Gas turbines Test benches
 VMK/ VFK/ FCF/ FMX	0-200 bar	DN 8-250 mm	1,6-650 m <sup>3</sup> /h	
 Regelventil SPI	0-400 bar	DN 8-32 mm	1,6-24 m <sup>3</sup> /h	

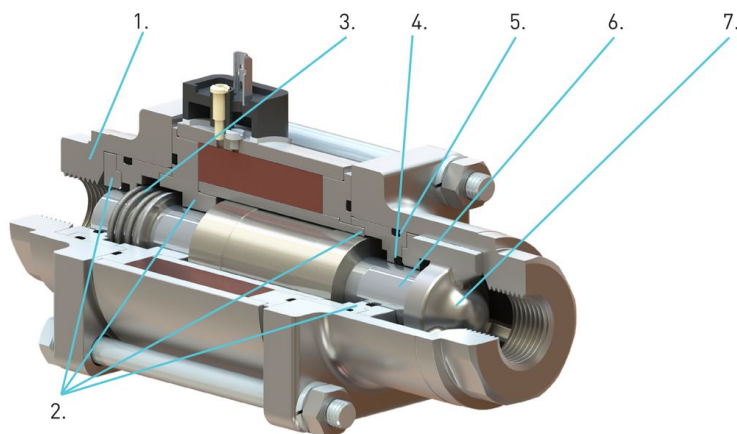
This is an information summary. For details on the individual series, please refer to the associated data sheets.



## Pneumatic actuated coaxial valves (3/2 version)



## Solenoid actuated coaxial valves (2/2 version)



Components for coaxial valves with 2 or 3 port connections

Item:	Material number (DIN)	AISI:
1. valve port	1.4581 or 1.4404 or 1.4571	316L or 316Ti
2. all media touched inner parts	1.4404	316L
3. return spring	1.4310	301
4. all dynamic seals	PTFE or FPM (Viton)	
5. all static seals	FPM (Viton)	
6. control tube	1.4404 or 1.4301	316L or 304
7. valve seat	PTFE or FPM (Viton)	



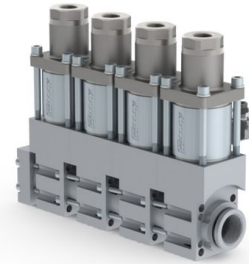
## Size comparison - space-saving in flexible modular bodies

Ball valve



[5]-FCF-K series  
(interchangeable „short“  
version without limit switch)

interchangeable



### Features of the coaxial valves - solenoid actuated

- Valves technically tight to the atmosphere, even if the seals are worn (closed design, tightness guaranteed, no open connection, no hazardous substance leakage/skin contact).
- Standard voltage 24V DC / 230V AC
- Special voltages on request
- available options:
  - with limit switch (direct indication OPEN/CLOSE)
  - mounting bracket
  - terminal box
  - device connector e.g. M12\*1 VDMA/DESINA
  - manual override
- Medium temperature range
  - f. Standard version: from -20°C to +100°C
    - optionally from -40°C to 160°C\*
  - f. Ex-Zone 1 equipment category 2 from -20°C to +40°C\*
  - f. Ex-Zone 2 equipment category 3 from -20°C to +80°C\*
  - f. IECEx: from -30°C to +50°C \* (only orifice DN10)
  - f. DVGW: from -15°C to +80°C \* (only orifice DN15 to 25)

### Features of the coaxial valves - general

- Compact and small design
- Valves with flow on both sides
- Very fast switching times
- Valve connection optionally in:
  - Flange (e.g. DIN EN 1092-1)
  - Socket version (e.g. SAE / NPT thread)
  - Weld end
- SIL 2 as standard, SIL 3 optional
- MTF values on request

### Features of the coaxial valves - pneumatically actuated

- 5/2-pilot valve – direct or externally mounted
- All valves switch from 3 bar control air pressure
- Pilot air consumption 1/10 of a ball valve
- Leakage hole with drainage connection
- Limit switch (direct indication OPEN/CLOSE)
- Mounting bracket
- Medium temperature range: from -20°C to +60°C
  - optional from -40° to 160°C (pilot external)\*
- Ex zone 1 – max. temperature from -20°C to +160°C\*

[\*] Depending on the temperature range, there may be adjustments to the desired valve configuration

Οι απεικονίσεις δεν είναι δεσμευτικές  
Με την επιφύλαξη αλλαγών στον σχεδιασμό, στις διαστάσεις και στα υλικά

Βαλβίδες / Ειδικές βιομηχανικές βαλβίδες / Λοιπή γκάμα προϊόντων - Ειδικές βιομηχανικές βαλβίδες / Λοιπή γκάμα προϊόντων - A08 / [CV-H2...] CV-H2...

Έκδοση 1.0

213214 / Δημιουργήθηκε 2026/23 EL

ΚΑΤΑΣΚΕΥΑΣΤΗΚΕ ΣΤΗΝ ΕΥΡΩΠΗ

+43 512 52076

austria@stasto.eu

© STASTO Automation KG

www.stasto.com

Ανοιγμα σειράς online

Σελίδα 4 / 4

