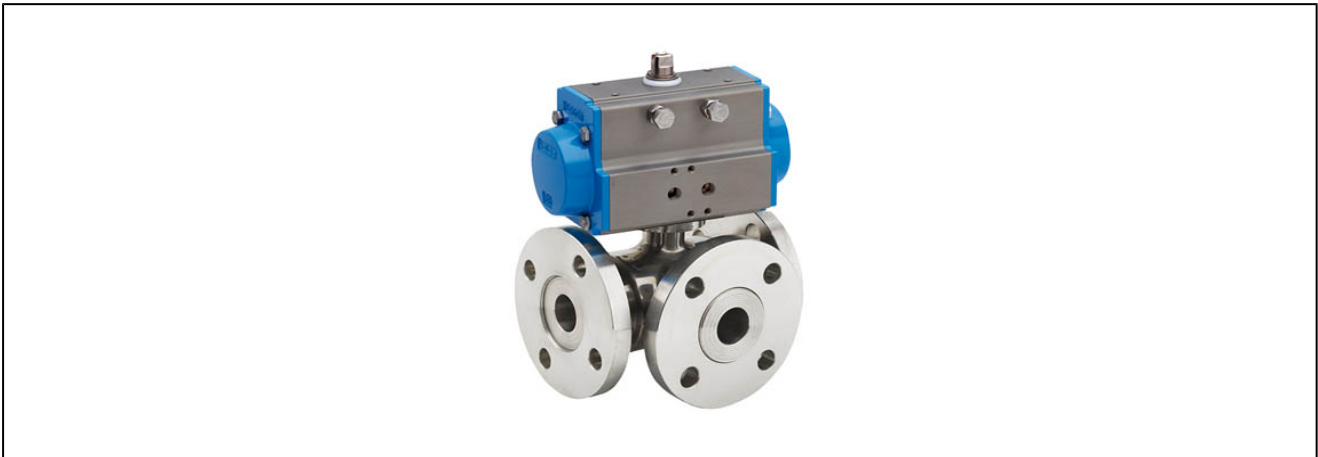
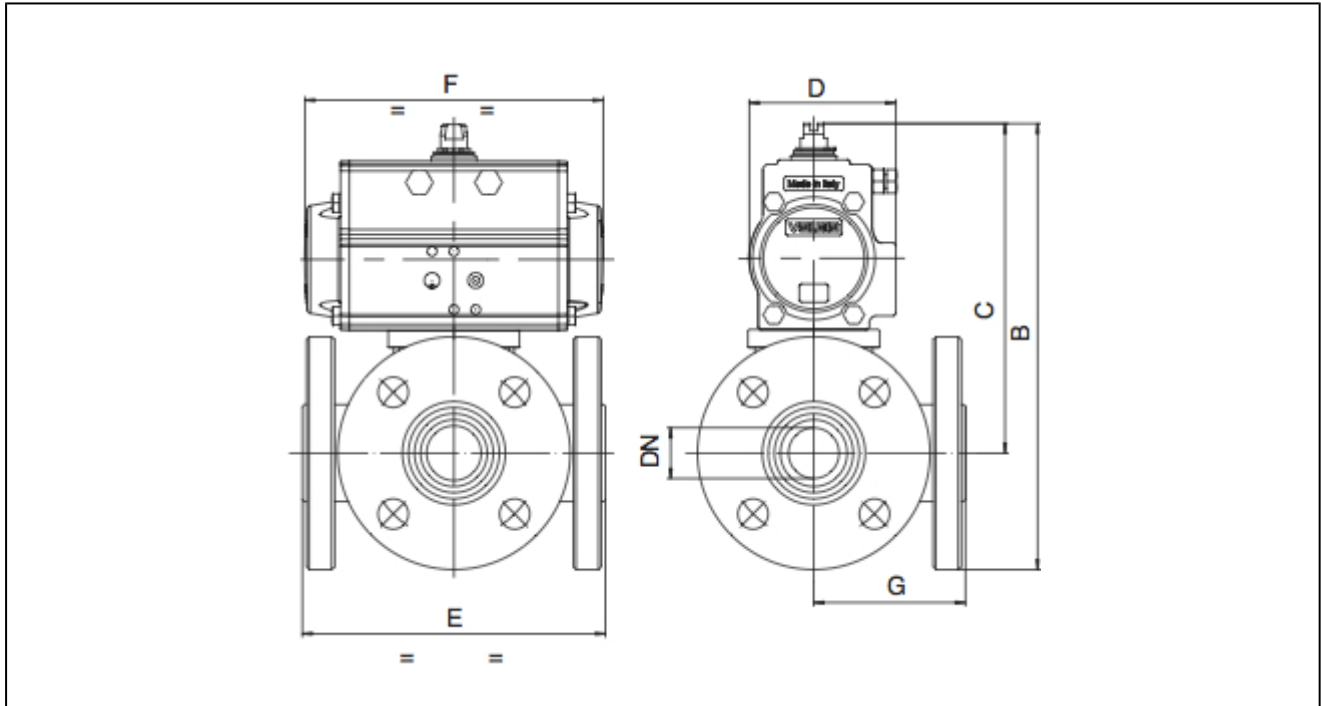


3-way flange ball valve made of stainless steel with pneumatic actuator series BAT.-...-SSTV (T-bore) and BAL.-...-SSTV (L-bore)



design	actuator: piston actuator with 2 counteracting pistons, elastic sealing, actuator complying with ISO 5211 or rather to NAMUR-references, end position +/-5° adjustable on both sides ball valve: full bore, ball sealing on three ports, not free of overlapping
connection	flange DN15...DN100 according to EN1092-1
materials	actuator: hard-anodised aluminum, pinion nickel-plated steel, piston guide POM, seals NBR
standard construction	ball valve: body and ball stainless steel AISI 316, ball seal made of PTFE, stem seal PTFE/FKM
function	delivery in double acting or single acting design
type of fixing	installed into rigid pipework
mounting position	any
control medium	filtered and lubricated or non lubricated compressed air
application	gaseous and liquid fluids which do not affect the used materials
medium temperature	-20...+160°C
ambient temperature	-20...+85°C
control pressure	5,5-8bar, adaptation for lower control pressures on request
operating pressure	0bar up to operating pressure according to the table and pressure-temperature diagram, suitable for rough vacuum
special version	pinion made of stainless steel, ATEX, ambient temperatures of -40°C...+85°C respectively -20°C...+150°C on request
accessories	mounted manual pneumatic or electric control valve electric end position signal, I/P or P/P positioner control of moving speed
order information	in case of order please specify flow path, pressure, operating medium and operating pressure.
direction for use	pressure and temperature values are maximum values for lubricating or not degreasing mediums. in particular degreasing media reduce the indicated values and increase the necessary torque. In border lines we recommend a previous consultation. when selecting the armature, the lowest control pressure in the equipment is taken as the basis

dimensions



ball valves with double acting pneumatic actuator

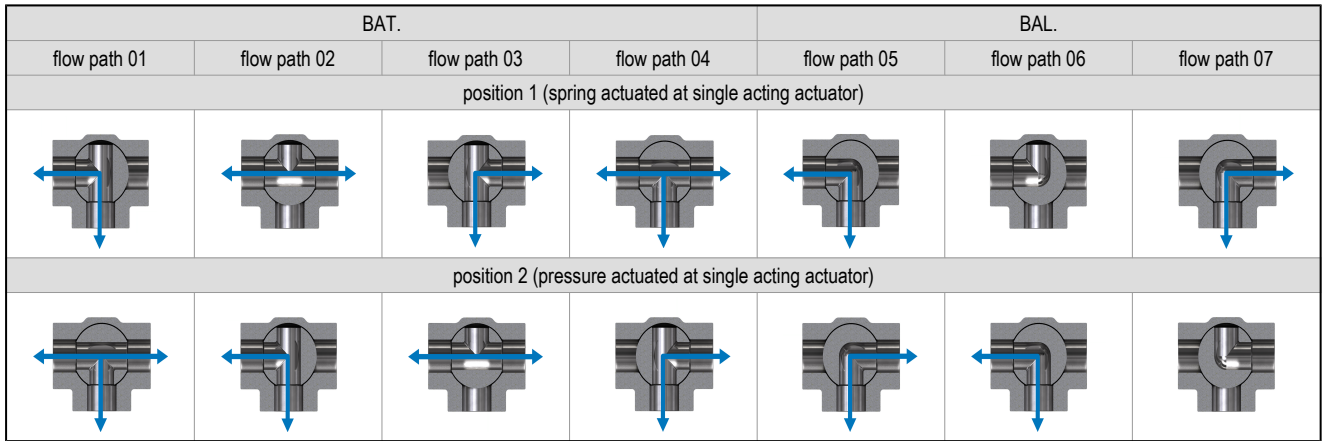
nominal diameter DN[mm]	max. operating pressure [bar] up to 80°C	B	C	D	E	F	G	type of actuator	weight [app. kg]	type T-bore	type L-bore
15	40	198	151	71	130	141	65	PAD052	4,4	BATB-015-SSTV-D0	BALB-015-SSTV-D0
20	40	222	170	81	140	164	70	PAD063	6,7	BATB-020-SSTV-D0	BALB-020-SSTV-D0
25	40	232	174	81	150	164	75	PAD063	7,9	BATB-025-SSTV-D0	BALB-025-SSTV-D0
32	40	283	213	95	180	210	90	PAD075	13,6	BATB-032-SSTV-D0	BALB-032-SSTV-D0
40	40	295	220	95	200	210	100	PAD075	17,0	BATB-040-SSTV-D0	BALB-040-SSTV-D0
50	25	305	223	95	220	210	110	PAD075	21,2	BATG-050-SSTV-D0	BALG-050-SSTV-D0
65	16	339	247	106	240	241	120	PAD085	27,8	BATA-065-SSTV-D0	BALA-065-SSTV-D0
80	16	374	274	123	260	275	130	PAD100	39,3	BATA-080-SSTV-D0	BALA-080-SSTV-D0
100	16	434	324	137	300	333	150	PAD115	57,7	BATA-100-SSTV-D0	BALA-100-SSTV-D0

ball valves with single acting pneumatic actuator

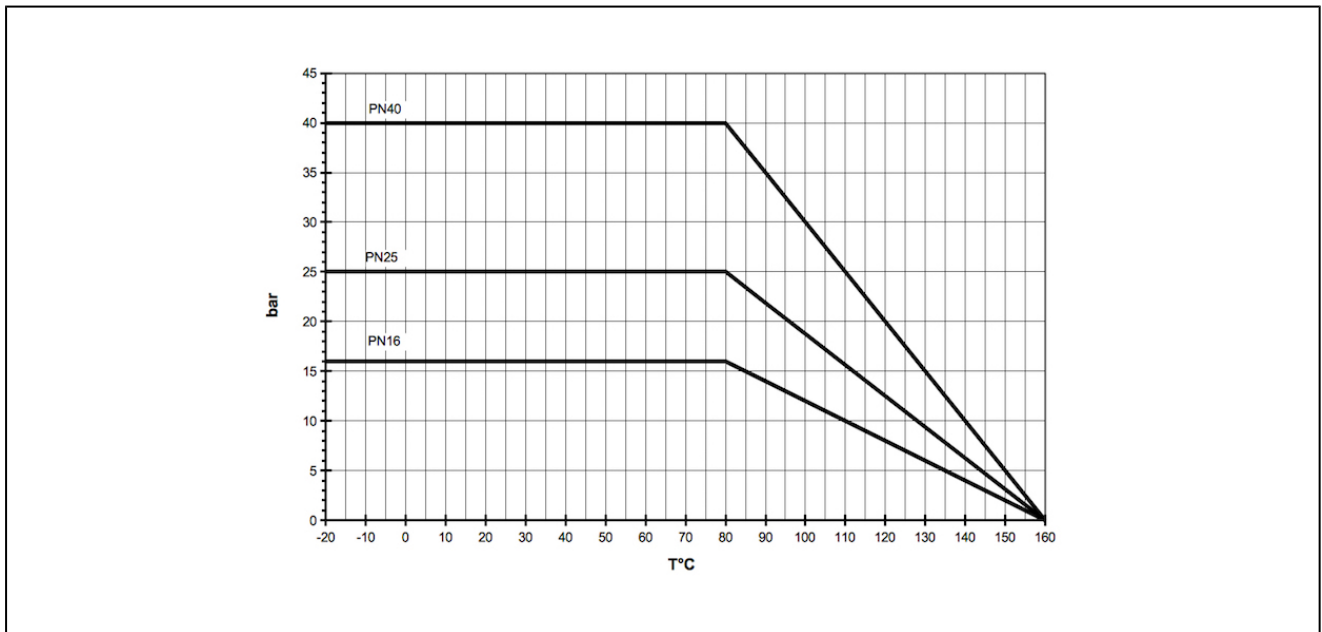
nominal diameter DN[mm]	max. operating pressure [bar] up to 80°C	B	C	D	E	F	G	type of actuator	weight [app. kg]	type T-bore	type L-bore
15	40	278	230	95	130	210	65	PAS0755	6,9	BATB-015-SSTV-S0	BALB-015-SSTV-S0
20	40	254	202	106	140	241	70	PAS0855	9,8	BATB-020-SSTV-S0	BALB-020-SSTV-S0
25	40	336	279	123	150	275	75	PAS1005	11,3	BATB-025-SSTV-S0	BALB-025-SSTV-S0
32	40	310	240	123	180	275	90	PAS1005	18,6	BATB-032-SSTV-S0	BALB-032-SSTV-S0
40	40	357	282	137	200	333	100	PAS1155	26,3	BATB-040-SSTV-S0	BALB-040-SSTV-S0
50	25	367	285	137	220	333	110	PAS1155	29,9	BATG-050-SSTV-S0	BALG-050-SSTV-S0
65	16	398	306	148	240	372	120	PAS1255	37,9	BATA-065-SSTV-S0	BALA-065-SSTV-S0
80	16	467	367	186	260	500	130	PAS1605	63,7	BATA-080-SSTV-S0	BALA-080-SSTV-S0
100	16	492	382	186	300	500	150	PAS1605	79,6	BATA-100-SSTV-S0	BALA-100-SSTV-S0

single acting actuators are delivered normally closed (NC), if not specified in your order.

diagramm flow path



pressure-temperature-diagram



illustrations are non-binding
all designs, configurations, measurements and materials are subject to change without prior notice