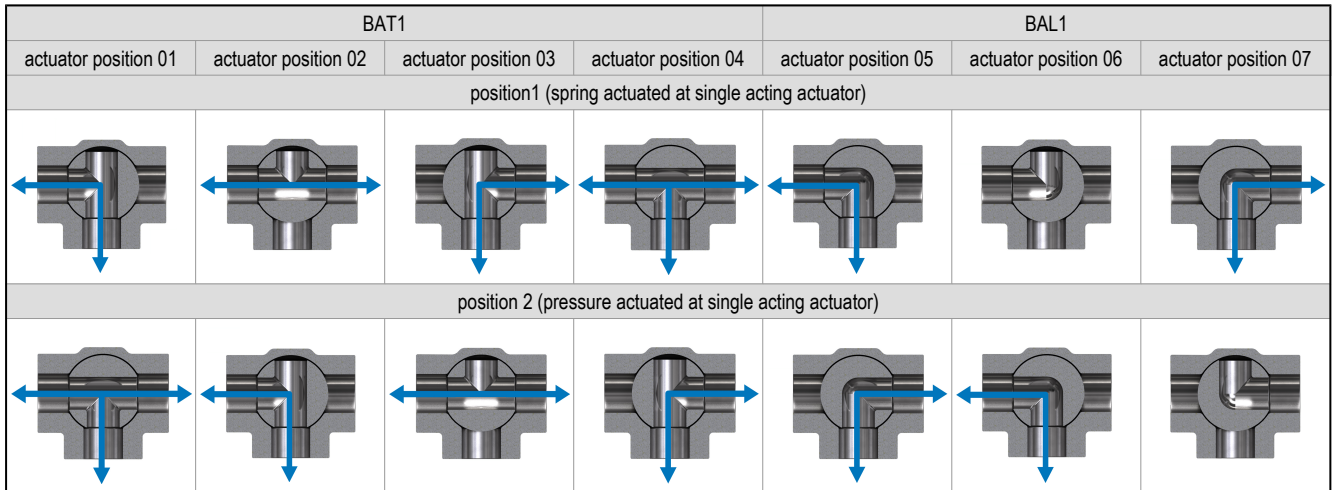


3-way-ball valve made of stainless steel with pneumatic actuator series BAT1-...-SSTT (T-bore) and BAL1-...-SSTT (L-bore)

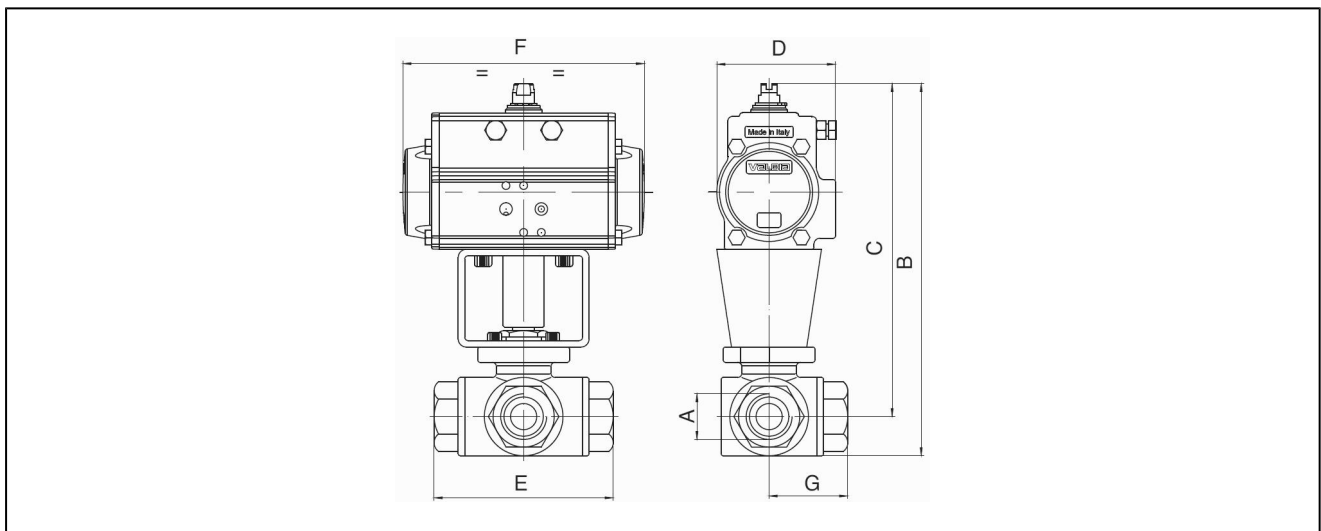


design	actuator: piston actuator with 2 counteracting pistons, elastic sealing, actuator complying with ISO 5211 or rather to NAMUR-references, end position +/-5° adjustable on both sides ball valve, reduced bore, ball sealing on three ports, not free of overlapping
connection	G1/4"...G2" according to ISO228/1
materials standard construction	actuator: hard-anodised aluminum, pinion nickel-plated steel, piston guide POM, seals NBR ball valve: body and ball AISI 316, ball seal PTFE, stem seal PTFE
function	delivery in double acting or single acting design
type of fixing	installed into rigid pipework
mounting position	any
control medium	filtered and lubricated or non lubricated compressed air
application	gaseous and liquid fluids which do not affect the used materials
medium temperature	-20...+160°C
ambient temperature	-20...+85°C
control pressure	5,5-8bar, adaptation for lower control pressures on request
operating pressure	0bar to operating pressure according to the table and pressure-temperature diagram, suitable for rough vacuum
special version	pinion made of stainless steel, ambient temperatures of -40...+85°C, respectively -20...+150°C on request
accessories	mounted manual pneumatic or electric control valve electric end position signal, I/P or P/P positioner control of moving speed
order information	in case of order please specify actuator position, pressure, operating medium and operating pressure.
direction for use	pressure and temperature values are maximum values for lubricating or not degreasing mediums. in particular degreasing media reduce the indicated values and increase the necessary torque. In border lines we recommend a previous consultation. when selecting the armature, the lowest control pressure in the equipment is taken as the basis

circuit diagramm



dimensions



ball valves with double acting pneumatic actuator

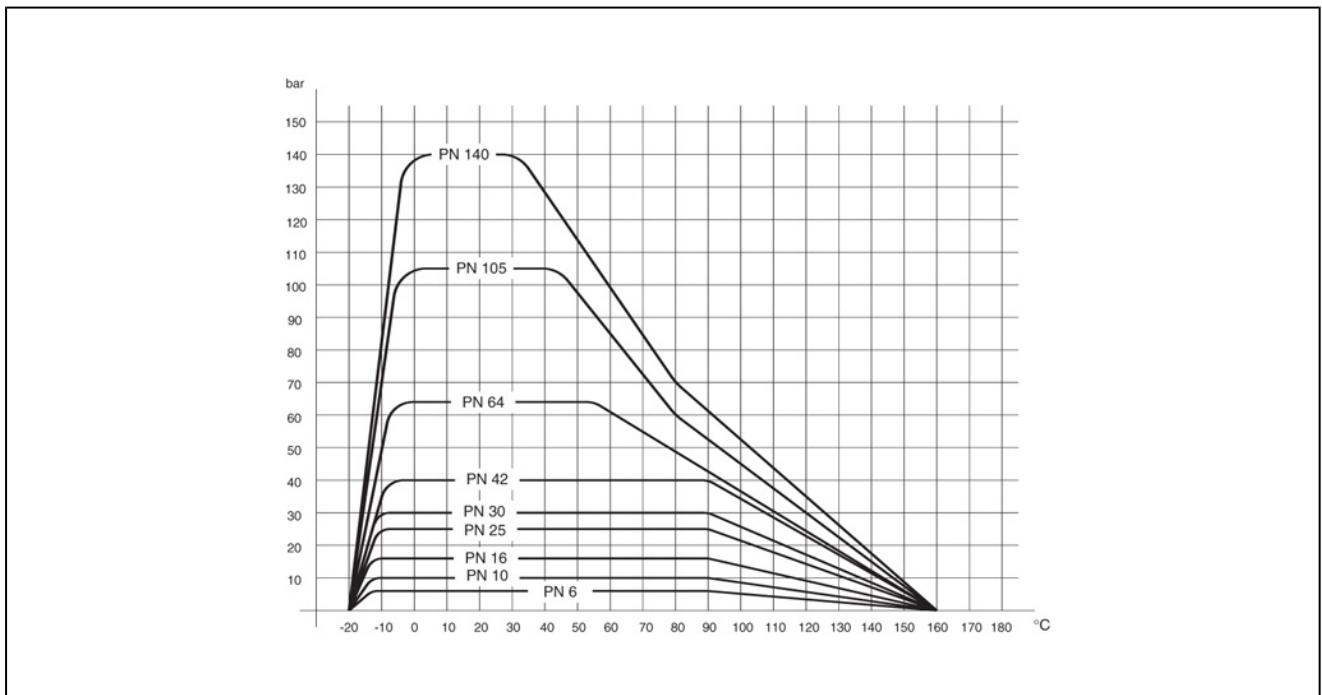
connection A	nominal diameter DN[mm]	max. operating pressure [bar]	B	C	D	E	F	G	type of actuator	kv value [m ³ /h]	weight [app. kg]	type T-bore	type L-bore
G1/4"	11	64	203	184	71	69	141	39	PAD052	5	2,6	BAT1-002-SSTT-D0	BAL1-002-SSTT-D0
G3/8"	11	64	203	184	71	69	141	39	PAD052	5	2,6	BAT1-003-SSTT-D0	BAL1-003-SSTT-D0
G1/2"	12,5	64	203	184	71	76	164	39	PAD052	7	2,6	BAT1-004-SSTT-D0	BAL1-004-SSTT-D0
G3/4"	16	64	237	214	81	87	164	43	PAD063	12	3,3	BAT1-005-SSTT-D0	BAL1-005-SSTT-D0
G1"	20	64	242	216	81	102	164	52	PAD063	19	3,8	BAT1-006-SSTT-D0	BAL1-006-SSTT-D0
G1 1/4"	25	64	25	225	81	118	164	58	PAD063	30	4,8	BAT1-007-SSTT-D0	BAL1-007-SSTT-D0
G1 1/2"	32	64	298	260	106	126	241	63	PAD085	51	8,1	BAT1-008-SSTT-D0	BAL1-008-SSTT-D0
G2"	38	64	316	268	106	149	241	75	PAD085	76	10,6	BAT1-009-SSTT-D0	BAL1-009-SSTT-D0

ball valves with single acting pneumatic actuator

connection A	nominal diameter DN[mm]	max. operating pressure [bar]	B	C	D	E	F	G	type of actuator	kv value [m ³ /h]	weight [app. kg]	type T-bore	type L-bore
G1/4"	11	64	214	195	81	69	164	39	PAS0635	5	3,4	BAT1-002-SSTT-S0	BAL1-002-SSTT-S0
G3/8"	11	64	214	195	81	69	164	39	PAS0635	5	3,4	BAT1-003-SSTT-S0	BAL1-003-SSTT-S0
G1/2"	12,5	64	214	195	81	76	164	39	PAS0635	7	3,4	BAT1-004-SSTT-S0	BAL1-004-SSTT-S0
G3/4"	16	64	256	233	95	87	210	43	PAS0755	12	3,9	BAT1-005-SSTT-S0	BAL1-005-SSTT-S0
G1"	20	64	274	248	106	102	241	52	PAS0855	19	7,3	BAT1-006-SSTT-S0	BAL1-006-SSTT-S0
G1 1/4"	25	64	291	257	106	118	241	58	PAS0855	30	7,8	BAT1-007-SSTT-S0	BAL1-007-SSTT-S0
G1 1/2"	32	64	345	307	137	126	333	63	PAS1155	51	16,2	BAT1-008-SSTT-S0	BAL1-008-SSTT-S0
G2"	38	64	364	316	137	149	333	75	PAS1155	76	19,1	BAT1-009-SSTT-S0	BAL1-009-SSTT-S0

single acting actuators are delivered normally closed (NC), if not specified in your order.

pressure-temperature-diagram



illustrations are for information only and are non-binding
all designs, configurations, measurements and materials are subject to change without prior notice