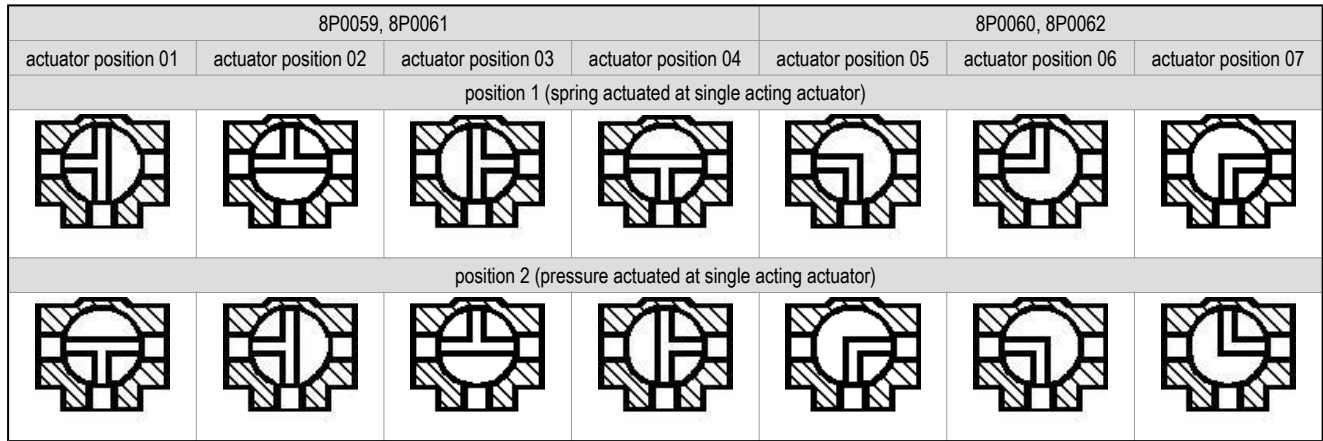


### 3-way-ball valve made of stainless steel with pneumatic actuator series 8P0059, 8P0061 (T-bore) and 8P0060, 8P0062 (L-bore)

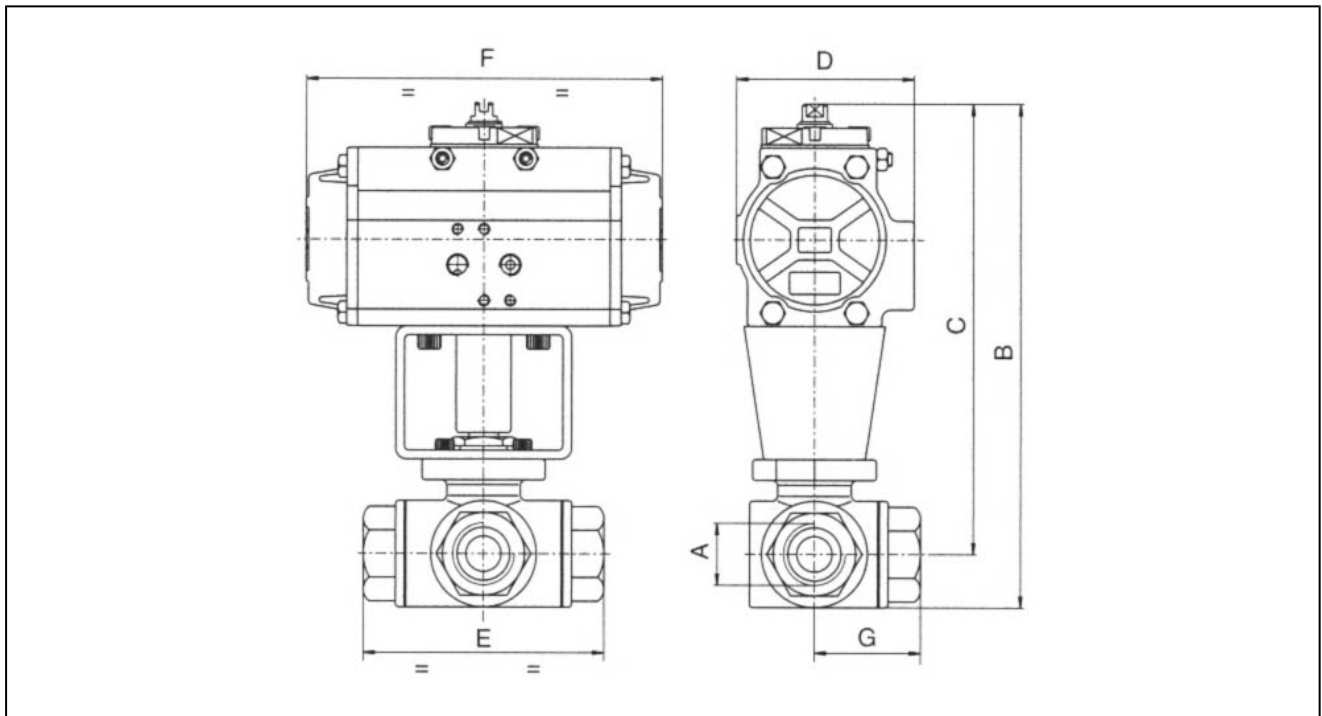


design	actuator: piston actuator with 2 counteracting pistons, elastic sealing, actuator complying with ISO 5211 or rather to NAMUR-references, end position +/-5° adjustable on both sides, incl. red position indication ball valve: reduced bore, ball sealing on three ports, not free of overlapping
connection	G1/4" ... G2" according to ISO7/1
materials standard construction	actuator: hard-anodised aluminum, pinion nickel-plated steel, pistonguide PTFE +15% graphite, seals NBR ball valve: body and ball AISI 316, ball seal PTFE, stem seal PTFE/FKM
function	delivery in double acting or single acting design
type of fixing	installed into rigid pipework
mounting position	any
control medium	filtered and lubricated or non lubricated compressed air
application	gaseous and liquid fluids which do not affect the used materials
medium temperature	-20°C ... +160°C
ambient temperature	-20°C ... +85°C
control pressure	5,5-8 bar, adaptation for lower control pressures on request
operating pressure	0 bar to operating pressure according to the table and pressure-temperature diagram, suitable for rough vacuum
special version	pinion made of stainless steel, ambient temperatures of -40°C to +85°C, respectively -20°C to 150°C on request
accessories	mounted manual pneumatic or electric control valve electric end position signal, I/P or P/P positioner control of moving speed
order information	in case of order please specify actuator position, pressure, operating medium and operating pressure.
direction for use	pressure and temperature values are maximum values for lubricating or not degreasing mediums. in particular degreasing media reduce the indicated values and increase the necessary torque. In border lines we recommend a previous consultation. when selecting the armature, the lowest control pressure in the equipment is taken as the basis

## circuit diagramm



## dimensions



## ball valves with double acting pneumatic actuator

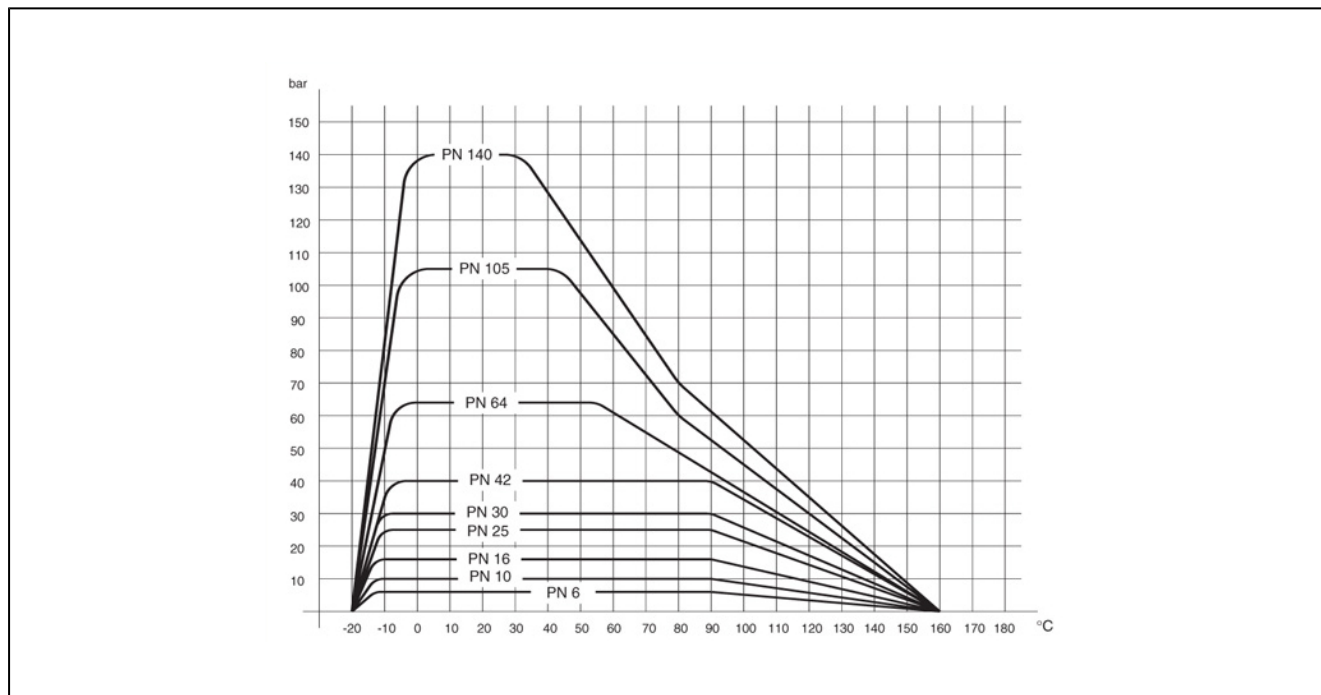
connection A	nominal diameter DN[mm]	max. operating pressure [bar] to 85°C	B	C	D	E	F	G	type of actuator	kv value [m <sup>3</sup> /h]	weight [app. kg]	type T-bore	type L-bore
G1/4"	8	64	190	172	71	79	140	39	DA52N	2,8	2,5	8P0059-1/4"	8P0060-1/4"
G3/8"	8	64	190	172	71	79	140	39	DA52N	3	2,5	88P0059-3/8"	8P0060-3/8"
G1/2"	10	64	190	172	71	79	140	39	DA52N	3,6	2,5	8P0059-1/2"	8P0060-1/2"
G3/4"	15	64	225	202	81	86	162	43	DA63N	6	3,1	8P0059-3/4"	8P0060-3/4"
G1"	20	64	230	204	81	108	162	54	DA63N	11	3,6	8P0059-1"	8P0060-1"
G1 1/4"	25	64	246	212	81	124	162	62	DA63N	16	4,6	8P0059-1 1/4"	8P0060-1 1/4"
G1 1/2"	32	64	281	243	106	134	238	67	DA85N	25,5	7,5	8P0059-1 1/2"	8P0060-1 1/2"
G2"	40	64	300	252	106	164	238	81	DA85N	37,5	10,0	8P0059-2"	8P0060-2"

## ball valves with single acting pneumatic actuator

connection A	nominal diameter DN[mm]	max. operating pressure [bar] to 85°C	B	C	D	E	F	G	type of actuator	kv value [m <sup>3</sup> /h]	weight [app. kg]	type T-bore	type L-bore
G1/4"	8	64	201	183	81	79	162	39	SR63N	2,8	3,2	8P0061-1/4"	8P0062-1/4"
G3/8"	8	64	201	183	81	79	162	39	SR63N	3	3,2	8P0061-3/8"	8P0062-3/8"
G1/2"	10	64	201	183	81	79	162	39	SR63N	3,6	3,2	8P0061-1/2"	8P0062-1/2"
G3/4"	15	64	237	219	95	86	207	43	SR75N	6	3,6	8P0061-3/4"	8P0062-3/4"
G1"	20	64	258	232	106	108	238	54	SR85N	11	6,7	8P0061-1"	8P0062-1"
G1 1/4"	25	64	274	240	106	124	238	62	SR85N	16	7,8	8P0061-1 1/4"	8P0062-1 1/4"
G1 1/2"	32	64	294	256	123	134	272	67	SR100N	25,5	11,2	8P0061-1 1/2"	8P0062-1 1/2"
G2"	40	64	313	265	123	164	272	81	SR100N	37,5	14,1	8P0061-2"	8P0062-2"

single acting actuators are delivered normally closed (NC), if not specified in your order.

## pressure-temperature-diagram



illustrations are for information only and are non-binding  
all designs, configurations, measurements and materials are subject to change without prior notice