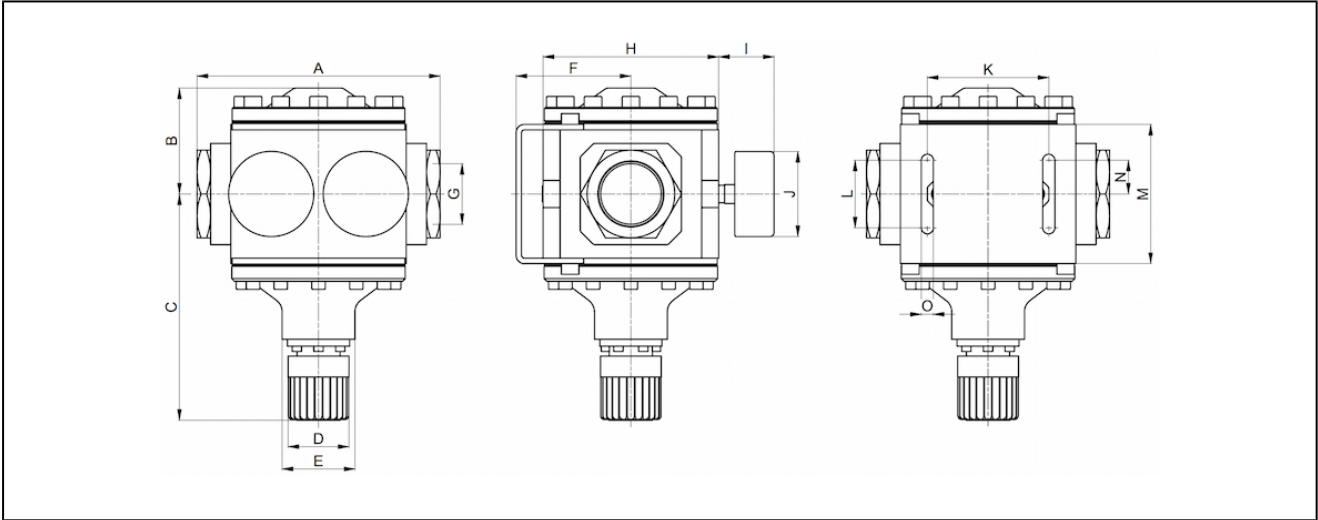


## high performance pressure regulator G1 1/2" and G2" series 637



design	diaphragm pressure regulator with relieving, manometer for inlet- and outlet pressure
detent	pressure setting can be locked by pressing the knob
connection	G1 1/2"...G2" according to ISO228/1
materials	body aluminum, diaphragm and valve cone NBR - brass
function	control of outlet pressure
type of fixing	installation in a pipe system, wall mounting with mounting bracket
mounting position	any
medium	filtered compressed air
medium temperature	-10...+60°C
ambient temperature	-10...+90°C
inlet pressure	max. 40bar
adjustment ranges	0,5...6bar, 0,5...10bar, 0,5...16bar and 0,5...25bar
flow direction	is marked by an arrow
scope of supply	including manometer

## dimension

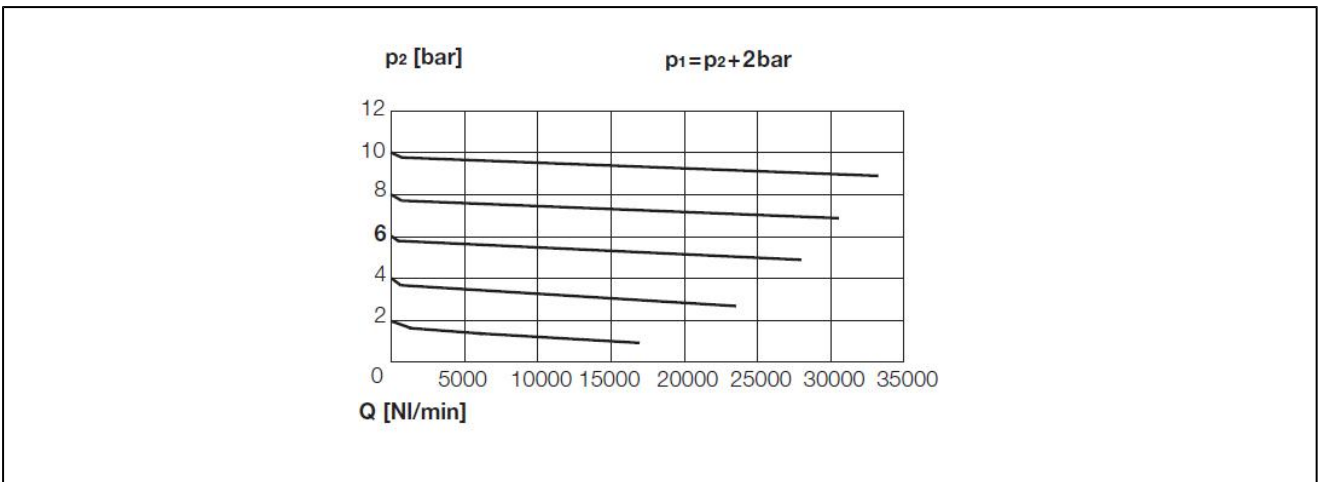


connection G	A	B	C	D	E	F	H	I	J	K	L	M	N	O	weight [approx. kg]	type
G1 1/2"	180	78	170	45	54	85	130	41	63	90	50	103	25	9	7,2	637.7X
G2"	160	78	170	45	54	85	130	41	63	90	50	103	25	9	6,6	637.8X

connection	flow at 6bar* [NI/min]	maximum inlet pressure [bar]	pressure range [bar]	type
G1 1/2"	25000	40	0,5...6	637.75
G1 1/2"	25000	40	0,5...10	637.76
G1 1/2"	25000	40	0,5...16	637.77
G1 1/2"	25000	40	0,5...25	637.78
G2"	25000	40	0,5...6	637.85
G2"	25000	40	0,5...10	637.86
G2"	25000	40	0,5...16	637.87
G2"	25000	40	0,5...25	637.88

\*flow rate at input pressure of 8bar, output pressure of 6bar and 1bar pressure drop

## flow diagram



## accessories

designation	type
mounting bracket (completely)	H805

illustrations are for information only and are non-binding  
all designs, configurations, measurements and materials are subject to change without prior notice