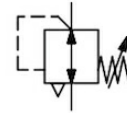


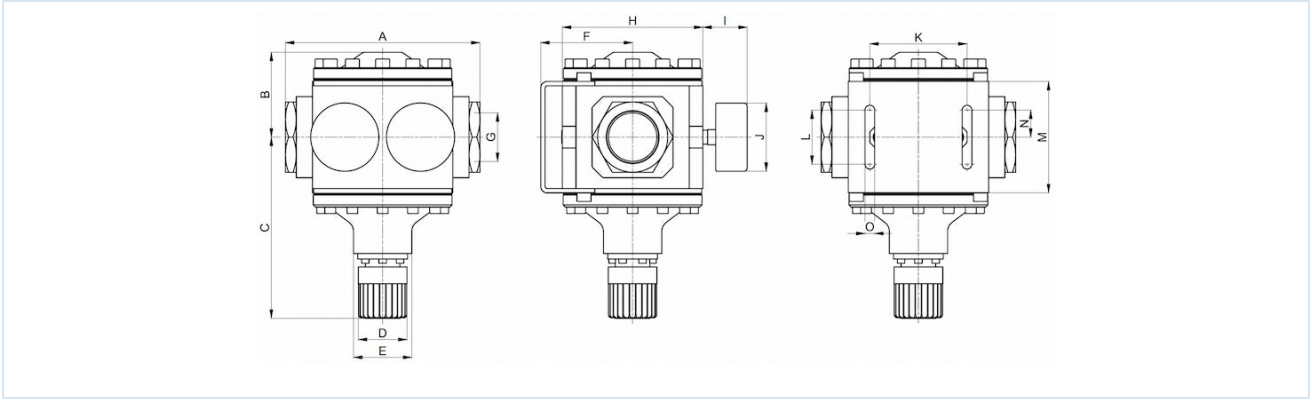
High-pressure regulator G11/2" and G2" Series RE13



Design type	Diaphragm pressure regulator with secondary venting, Pressure gauge for outlet and inlet pressure
Locking mechanism	the pressure setting can be locked by pressing in the rotary knob
Connection	G11/2"...G2" according to ISO228/1
Materials	Housing Aluminium, Diaphragm and Valve poppet NBR - Brass
Function	Secondary pressure regulation
Mounting type	Installation in piping system, Wall mounting using mounting bracket
Mounting position	any
Medium	filtered compressed air
Medium temperature	-10...+60°C
Ambient temperature	-10...+90°C
Inlet pressure	max. 40bar
Control ranges	0,5...6bar, 0,5...10bar, 0,5...16bar and 0,5...25bar
Flow direction	is marked by an arrow
Scope of delivery	including pressure gauge



Dimensional drawing

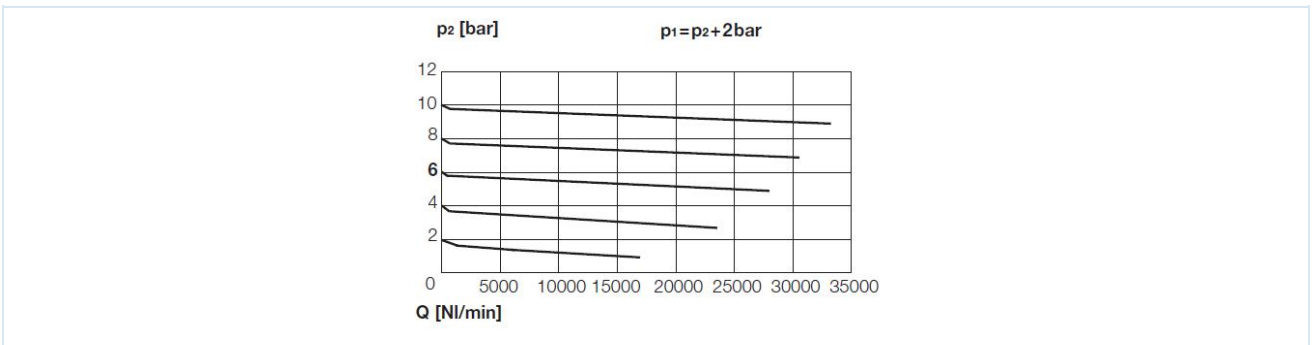


Connection G	A	B	C	D	E	F	H	I	J	K	L	M	N	O	Weight [approx. kg]	Type
G1 1/2"	180	78	170	45	54	85	130	41	63	90	50	103	25	9	7,2	RE13-112
G2"	160	78	170	45	54	85	130	41	63	90	50	103	25	9	6,6	RE13-20

Connection	Flow rate at 6 bar* [Nl/min]	max. inlet pressure [bar]	Pressure range [bar]	Type
G1 1/2"	25000	40	0,5...6	RE13-112-0,5/6-MA
G1 1/2"	25000	40	0,5...10	RE13-112-0,5/10-MA
G1 1/2"	25000	40	0,5...16	RE13-112-0,5/16-MA
G1 1/2"	25000	40	0,5...25	RE13-112-0,5/25-MA
G2"	25000	40	0,5...6	RE13-20-0,5/6-MA
G2"	25000	40	0,5...10	RE13-20-0,5/10-MA
G2"	25000	40	0,5...16	RE13-20-0,5/16-MA
G2"	25000	40	0,5...25	RE13-20-0,5/25-MA

*Flow rate data at an inlet pressure of 8 bar, an outlet pressure of 6 bar and a pressure drop of 1 bar

Flow diagram



Accessories

Designation	Type
Holding angle	MMB13-11220

Illustrations non-binding

Design, dimensional and material changes reserved

Pneumatics / Regulators, filters and lubricators / Other materials - P07 / High performance pressure regulator Series RE13

Version 4

139258 / Generated 2026/23 EN

MADE IN EUROPE

+43 512 52076

austria@stasto.eu

© STASTO Automation KG

www.stasto.com

Open series online

Page 2 / 2

