

solenoid valve unit with multipole-connection push-in Ø4 and 1/8" series MPB

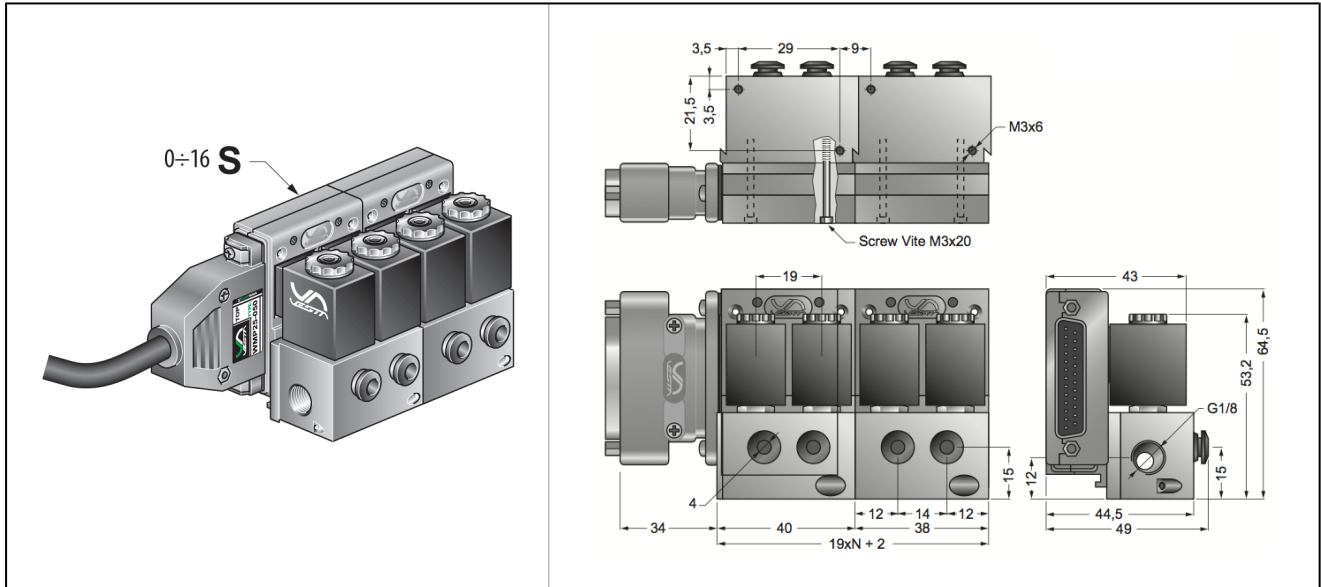


design	compact solenoid valve unit with up to 16 directly operated solenoid valve stations optionally with emergency manual override
solenoid valve stations	"Push-In" Ø4 type MBE-24, G1/8" type MBE-28 (see separate datasheet)
working ports	"Push-In" Ø4 respectively G1/8"
mounting position	any
nominal diameter	"Push-In" Ø4 1mm, G1/8" 1,2mm
flow rate	"Push-In" Ø4 50NI/min, G1/8" 80NI/min
pressure range	0...9bar
medium temperature	0°C...+40°C
ambient temperature	-10°C...+50°C
protection class	IP00 none protection class
information	CAD-files are available on request

type code

MPB - 8	-	2	-	M	-	02400	-	S
4 "Push In" Ø4 8 G1/8"		number of valves 2, 4, 6, ..., 16		manual emergency override M with W without		coil 02400 24V DC 02450 24V AC		connection side (see drawing) S left

MPB-4- ... dimensions push-in Ø4



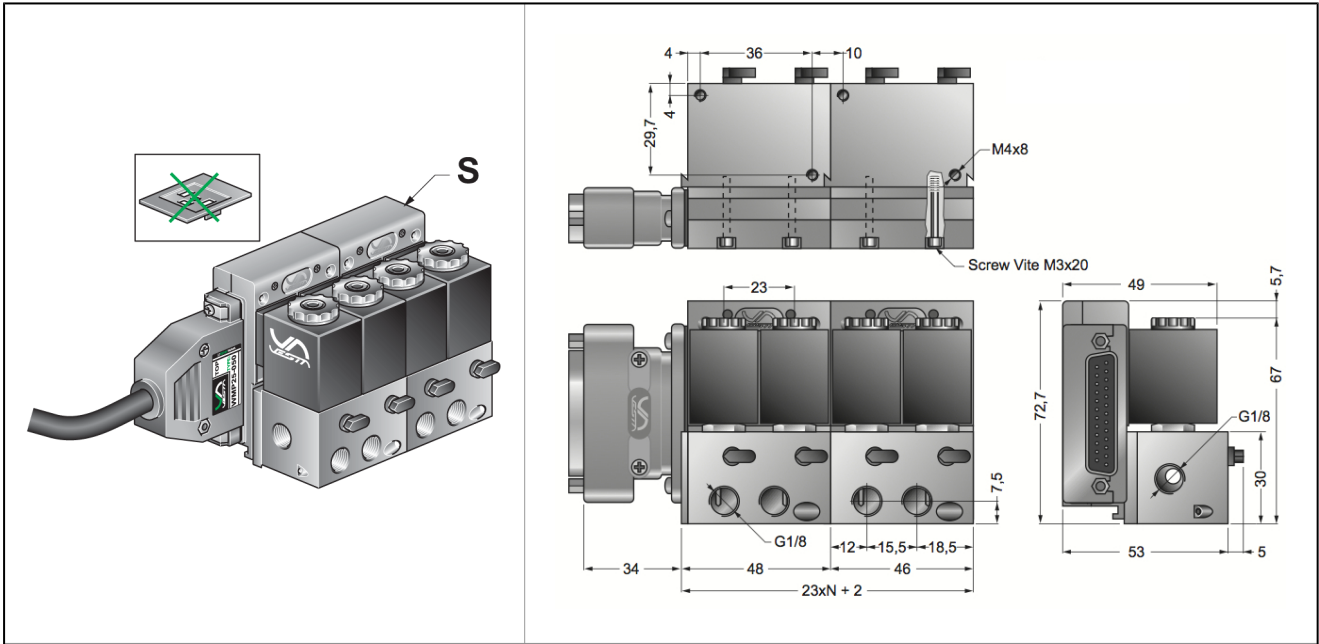
MPVT1 . electrical linking module "Push-In" Ø4

	connection side acc. to drawing	type
	left (S)	MPVT1S

MPVT1 . electric end module Push-In" Ø4

	connection side acc. to drawing	type
	left (S)	MPVT1-SSBD25

MPB-8- ... dimensions G1/8"



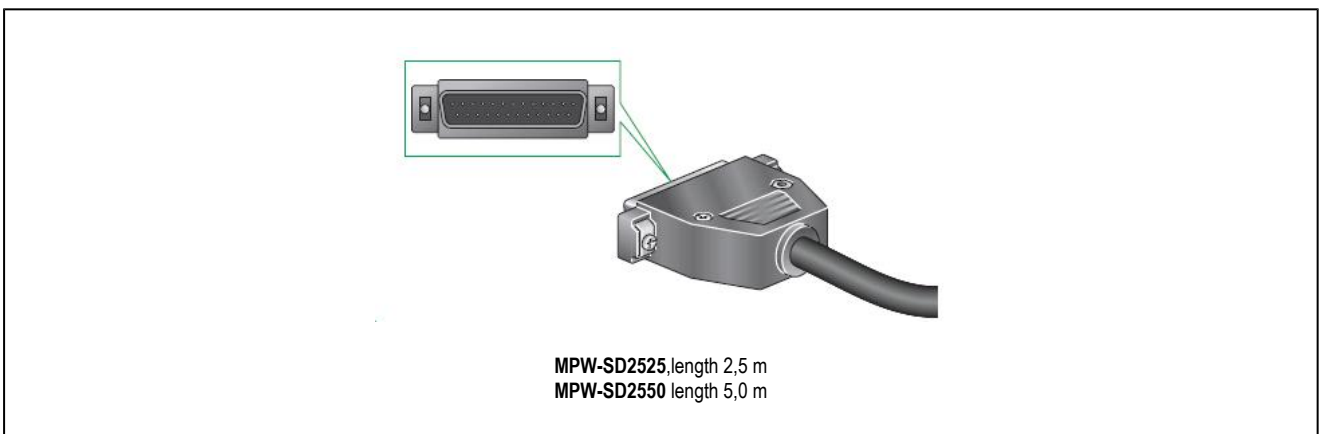
MPVT2 . electrical linking module G1/8"

	connection side acc. to drawing	type
	left (S)	MPVT2-S


MPVT2 . electric end module G1/8"

	connection side acc. to drawing	type
	left (S)	MPVT2-SSBD25

MPW-... connection cable, DIN47100



connector configuration connection cable

	connection	colour
	1	white
	2	brown
	3	green
	4	yellow
	5	grey
	6	pink
	7	blue
	8	red
	9	black
	10	violet
	11	grey pink
	12	red blue
	13	white green
	14	brown green
	15	white yellow
	16	yellow brown
GND	white grey	
GND	grey brown	
not connected	white pink	
not connected	pink brown	
not connected	white blue	
not connected	brown blue	
not connected	white red	
not connected	brown red	
not connected	white black	

illustrations are for information only and are non-binding
 all designs, configurations, measurements and materials are subject to change without prior notice